

HD IR Waterproof Fixed Network Camera User's Manual

Version 1.0.0

Welcome

Thank you for purchasing our network camera!

This user's manual is designed to be a reference tool for your system.

Please read the following safeguard and warnings carefully before you use this series product!

Please keep this user's manual well for future reference!

Important Safeguards and Warnings

1 . Electrical safety

All installation and operation here should conform to your local electrical safety codes.

The power shall conform to the requirement in the SELV (Safety Extra Low Voltage) and the Limited power source is rated 12V DC in the IEC60950-1. This series product supports PoE too. **Please note: Do not connect these two power supplying sources to the device at the same time; it may result in device damage!**

We assume no liability or responsibility for all the fires or electrical shock caused by improper handling or installation.

We are not liable for any problems caused by unauthorized modification or attempted repair.

2 . Transportation security

Heavy stress, violent vibration or water splash are not allowed during transportation, storage and installation.

3 . Installation

Do not apply power to the camera before completing installation.

Please install the proper power cut-off device during the installation connection.

Always follow the instruction guide the manufacturer recommended.

4 . Qualified engineers needed

All the examination and repair work should be done by the qualified service engineers.

We are not liable for any problems caused by unauthorized modifications or attempted repair.

5 . Environment

This series network camera should be installed in a cool, dry place away from direct sunlight, inflammable, explosive substances and etc.

Please keep it away from the electromagnetic radiation object and environment.

Please make sure the CCD (CMOS) component is out of the radiation of the laser beam device.

Otherwise it may result in CCD (CMOS) optical component damage.

Please keep the sound ventilation.

Do not allow the water and other liquid falling into the camera.

Thunder-proof device is recommended to be adopted to better prevent thunder.

The grounding studs of the product are recommended to be grounded to further enhance the reliability of the camera.

6. Daily Maintenance

Please shut down the device and then unplug the power cable before you begin daily maintenance work.

Do not touch the CCD (CMOS) optic component. You can use the blower to clean the dust on the lens surface.

Always use the dry soft cloth to clean the device. If there is too much dust, please use the water to dilute the mild detergent first and then use it to clean the device. Finally use the dry cloth to clean the device.

Please put the dustproof cap to protect the CCD (CMOS) component when you do not use the camera.

7. Accessories

Be sure to use all the accessories recommended by manufacturer.

Before installation, please open the package and check all the components are included.

Contact your local retailer ASAP if something is broken in your package.

Accessory Name	Amount
Network Camera Unit	1
Quick Start Guide	1
Installation Accessories Bag	1
CD	1

Table of Contents

1	General Introduction	1
1.1	Overview	1
1.2	Features	1
1.3	Specifications	2
1.3.1	Performance	2
1.3.2	Factory Default Setup	3
2	Structure	9
2.1	Multiple-function Combination Cable	9
2.2	Framework and Dimension	9
3	Device Installation	11
4	Quick Configuration Tool	13
4.1	Overview	13
4.2	Operation	13
5	Web Operation	16
5.1	Network Connection	16
5.2	Login and Logout	16
6	FAQ	19
	Appendix Toxic or Hazardous Materials or Elements	20

1 General Introduction

1.1 Overview

This series network camera integrates the traditional camera and network video technology. It adopts video data collection, transmission together. It can connect to the network directly without any auxiliary device.

This series network camera uses standard H.264 video compression technology, which maximally guarantees the video quality.

It supports the IR night vision function. In the night environments, the device can use the IR light to highlight the object which is suitable for the surveillance function in the low illumination environments. The waterproof design conforms to the IP 66 level. It has the sound waterproof function suitable for use in the outdoor environments.

It can be used alone or used in a network area. When it is used lonely, you can connect it to the network and then use a network client-end. Due to its multiple functions and various uses, this series network camera is widely used in many environments such office, bank, road monitor and etc.

1.2 Features

User Management	<ul style="list-style-type: none">● Different user rights for each group, one user belongs to one group.● The user right shall not exceed the group right.
Storage Function	<ul style="list-style-type: none">● Support central server backup function in accordance with your configuration and setup in alarm or schedule setting● Support record via Web and the recorded file are storage in the client-end PC.● Support network storage function such as FTP.
Network Monitor	<ul style="list-style-type: none">● It supports one-channel video data transmit to network terminal and then decode. Delaying time is within 270ms (network bandwidth support needed)● Max supports 20 connections and output bandwidth is 32Mbps. System refuses new connection request once it exceeds the bandwidth threshold.● Adopt the following video transmission protocol: HTTP, TCP, UDP, MULTICAST, RTP/RTCP, RTSP and etc.● Support web access.
Network Management	<ul style="list-style-type: none">● Realize network camera configuration and management via Ethernet.● Support device management via web or client-end.
Power	<ul style="list-style-type: none">● External power adapter DC 12V.● Support PoE. <p>Warning! Do not connect these two power supplying sources to the device at the same time; it may result in device damage!</p>
Assistant Function	<ul style="list-style-type: none">● Log function● Support system resource information and running status real-time display.● Day/Night mode auto switch.● Support picture parameter setup such as electronic shutter and gain setup.● Support motion detect.● Backlight compensation: screen auto split to realize backlight compensation to adjust the bright.● Support video watermark function to avoid vicious video modification.● Built-in IR light. Support IR night vision.● The enclosure conforms to the IP 66 protection. Has the waterproof function.

1.3 Specifications

1.3.1 Performance

Please refer to the following sheet for network camera performance specification.

Model			
System	Main Processor	TI Davinci high performance DSP	
	OS	Embedded LINUX	
	System Resources	Support real-time network, local record, and remote operation at the same time.	
	User Interface	Remote operation interface such as WEB, DSS, PSS	
	System Status	Bit stream statistics, log, and software version.	
Video Parameter	Image Sensor	1/3-inch CMOS	
	Pixel	1920(H)*1080(V)	
	Gain Control	Fixed/Auto	
	White Balance	Manual/Auto	
	Exposure Mode	Manual/Auto PAL: It ranges from 1/4 to 1/10000 NTSC: It ranges from 1/3 to 1/10000	
	Video Compression Standard	H264/ H.264B/MJPEG	
	Video Frame Rate	PAL: Main stream(1920*1080@25fps), extra stream(352*288@25fps) NTSC: Main stream(1920*1080@30fps), extra stream(352*240@30fps)	
	Video Bit Rate	H.264: 56Kbps-8192Kbps. MJPEG is adjustable and bit rate is adjustable. Support customized setup.	
	Video Flip	Support mirror. Support flip function.	
	Snapshot	Max 1f/s snapshot. File extension name is JPEG.	
	Privacy Mask	Supports max 4 privacy mask zones	
	Video Setup	Support parameter setup such as bright, contrast.	
	Video Information	Channel title, time title, motion detect, camera masking.	
	Lens	3.6mm, 6mm, 8mm. Fixed focus.	
Lens Interface	M12. Lens is the default accessories		
Video	Motion Detect	396 (18*22) detection zones; sensitivity level ranges from 1 to 6 (The 6 th level has the highest sensitivity) Activation event: video storage, image snapshot, log, email function and etc.	
Record and Backup	Storage Management	Support display local storage status	
Network	Wire Network	1- channel wire Ethernet port, 10/100 Base-T Ethernet	
	Network Protocol	Standard HTTP, TCP/IP, ARP, IGMP, ICMP, RTSP, RTP,UDP, RTCP, SMTP, FTP, DHCP, DNS, DDNS, PPPOE, UPNP, NTP, Bonjour,	

		SNMP.
	Remote Operation	Monitor, system setup, file download, log information, maintenance , upgrade and etc
	Restore Default Setup	Reset button
	IR light	IR light 20-30M.
General Parameter	Power	DC12V power and PoE.
	Power Consumption	6W MAX
	Working Temperature	-10°C~+60°C
	Working Humidify	10%~90%
	Dimensions(mm)	70*66*160
	Weight	0.5Kg (Excluding box)
	Installation	Bracket installation

1.3.2 Factory Default Setup

Please refer to the following sheet for factory default setup information.

Setup	Item		Default Setup	
Camera	Conditions	Brightness		50
		Contrast		50
		Saturation		50
		Sharpness		50
		Anti-flicker		Outdoor
		Exposure Mode		Auto
		Gain Adjust		0-50
		Scene Mode		Auto
		Day/night Mode		Auto
		BLC		Off
		Mirror		Off
	Flip		Off	
	Video	Video bit stream	Main Stream	Bit stream type
Encode mode				H.264
Resolution				1080P (1920*1080)
Frame Rate (FPS)				PAL:25 NTSC:30
Bit Rate Type				CBR
Recommended Bit				3584-8192 Kb/S
Bit Rate				8192
Watermark				Enable

Setup	Item			Default Setup	
	Sub Stream	Watermark character		DigitalCCTV	
		Enable		Enable	
		Bit stream type		General	
		Encode mode		H.264	
		Resolution		PAL: CIF(352*288) NTSC: CIF(352*240)	
		Frame Rate (FPS)		PAL: 25 NTSC: 30	
		Bit Rate Type		CBR	
		Recommended Bit		192-1024Kb/S	
		Bit Rate		1024	
		Snapshot	Snapshot Type		General
	Image Size			1080P (1920*1080)	
	Quality			5	
	Interval			1s	
	Video Overlay	Privacy Mask		Disable	
		Channel Title		Enable	
		Time Title		Enable	
	Path	Snapshot Path		C:\PictureDownload	
		Record Path		C:\RecordDownload	
	Network	TCP/IP	Host Name		IPC
			Ethernet Card		Wire
			Mode		Static
Mac Address				Device MAC address when it is shipped out of the factory	
IP Version				IPV4	
IP Address				192.168.1.108	
Subnet Mask				255.255.255.0	
Default Gateway				192.168.1.1	
Preferred DNS				8.8.8.8	
Alternate				8.8.8.8	

Setup	Item		Default Setup	
		DNS		
		Enable ARP/Ping set device IP address service	Enable	
	Connection	Max Connection	10	
		TCP Port	37777	
		UDP Port	37778	
		HTTP Port	80	
		RTSP Port	554	
		HTTPs enable	Disable	
		HTTPs Port	443	
	PPPoE	Enable	Disable	
		Username	none	
		Password	N/A	
	DDNS	Server Type	Disable, CN99 DDNS	
		Server IP	none	
		Server Port	80	
		Domain Name	none	
		User	none	
		Password	****	
		Update Period	10 minutes	
	IP Filter	Trusted sites	Disable	
	SMTP(Email)	SMTP Server	none	
		Port	25	
		Anonymity	Disable	
		User Name	anonymity	
		Password	****	
		Sender	none	
		Authentication (Encryption mode)	N/A	

Setup	Item		Default Setup		
		Title (Subject)	IPC Message		
		Attachment	N/A		
		Mail Receiver	0 seconds		
		Email Test	Disable, interval=60 seconds		
	UPnP	Enable UPnP	Disable		
	SNMP	SNMP Port	161		
		Read Community	public		
		Write Community	private		
		Trap Address	N/A		
		Trap Port	162		
	Bonjour	Enable	Enable		
		Server Name	SN. It depends on the actual device.		
	Multicast	Multicast Address	239.255.42.42		
		Port	36666		
	QoS	Real-time Monitor	0		
		Command	0		
	Event	Video detect	Motion Detect	Enable	Disable
				Anti-dither	5 seconds
				Sensitivity	3
				Record Channel	Enable
Record Delay				10 seconds	
Send Email				Disable	
Snapshot				Disable	
Video Masking			Enable	Disable	
			Record Channel	Enable	
			Record Delay	10 seconds	
			Send Email	Disable	
			Snapshot	Disable	
Disconnectio			Enable	Disable	

Setup	Item			Default Setup	
	n	Record	Record	Enable	
			Record Delay	10 seconds	
		IP Conflict	Enable	Disable	
			Record	Enable	
			Relay out Delay	10 seconds	
		Storage	Storage	FTP	Enable FTP
Server IP	N/A				
Port	21				
Username	anonymity				
Password	N/A				
Remote path	share				
Record Control	Pack Duration		8 minutes		
	Pre-record		5 seconds		
	Disk Full		Overwrite		
	Record Mode		Auto		
	Record Stream		Main stream		
System	General	Local Host	Device No	Device manufacture SN	
			Language	English	
			Video Standard	PAL	
	Date time and	Date Format	Y-M-D		
		Time Format	24H		
		Time Zone	GMT+08:00		
		System Time	Sync		
		DST	Disable		
		DST Type	Week		
		Start Time	00:00:00 of the first Sunday of the month		
		End Time	00:00:00 of the second Monday of the month		
		NTP	Disable		
		NTP Server	clock.isc.org		
		Port	37		
		Update Period	10 minutes		
		Auto Maintenance	Auto Reboot	Enable Each 02:00 Tuesday	

Setup	Item		Default Setup	
		Auto Delete Old Files	Disable	

2 Structure

2.1 Multiple-function Combination Cable

You can refer to the following figure for multiple-function combination cable information. See Figure 2-1.

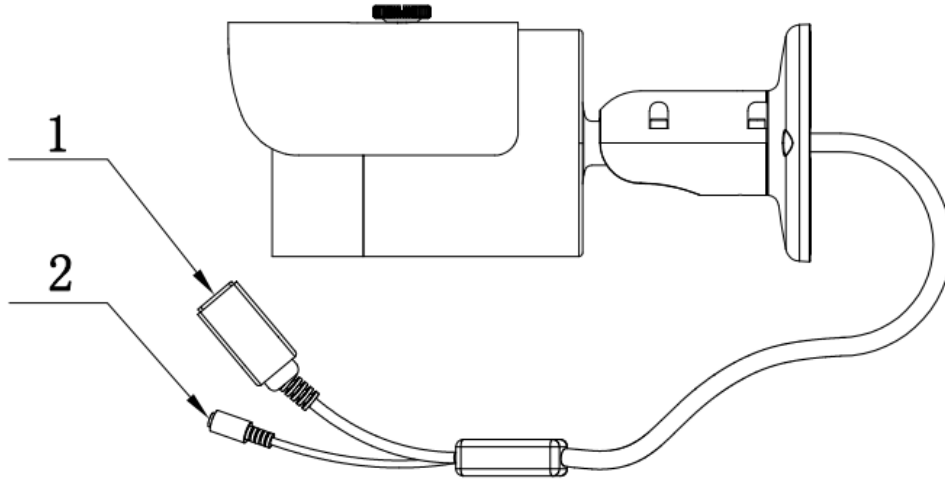


Figure 2-1

Please refer to the following sheet for detailed information.

SN	Port Name	Function	Connection	Note
1.	LAN	Network port	Ethernet port	Connect to standard Ethernet cable.
2	DC12V	Power input port	/	Power input port. Input DC 12V.

2.2 Framework and Dimension

Please refer to the following two figures for dimension information. The unit is mm. See Figure 2-2 and Figure 2-3.

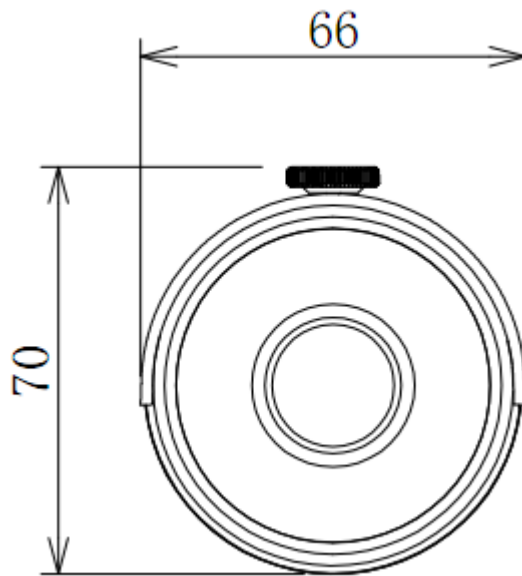


Figure 2-2

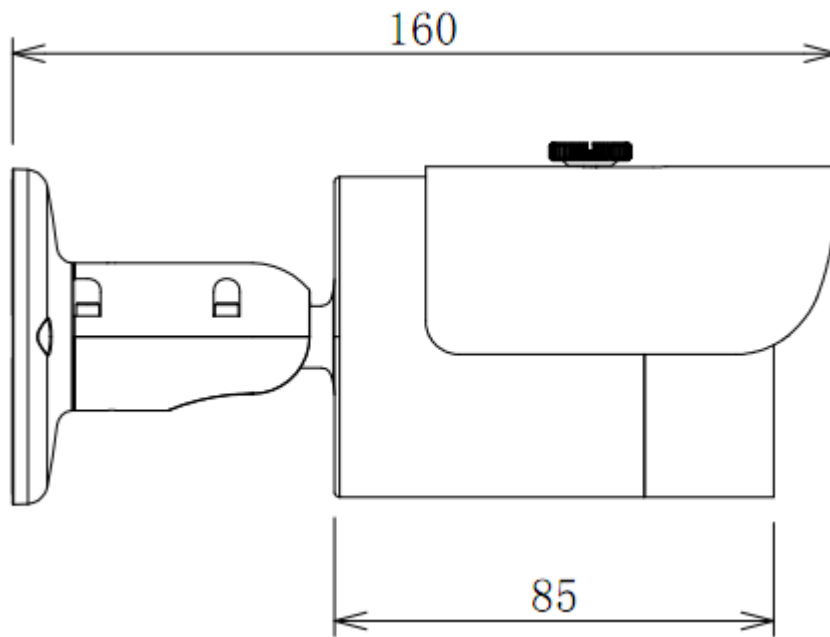


Figure 2-3

3 Device Installation

Important

The installation wall shall min sustain 3X weight of the bracket and camera.

Please follow the steps listed below to install the device. Please refer to Figure 3-1 and Figure 3-2 for reference.

Step 1

Paste the installation map on the surface of the wall or the ceiling.

Step 2

Dig the installation holes according to the installation map.

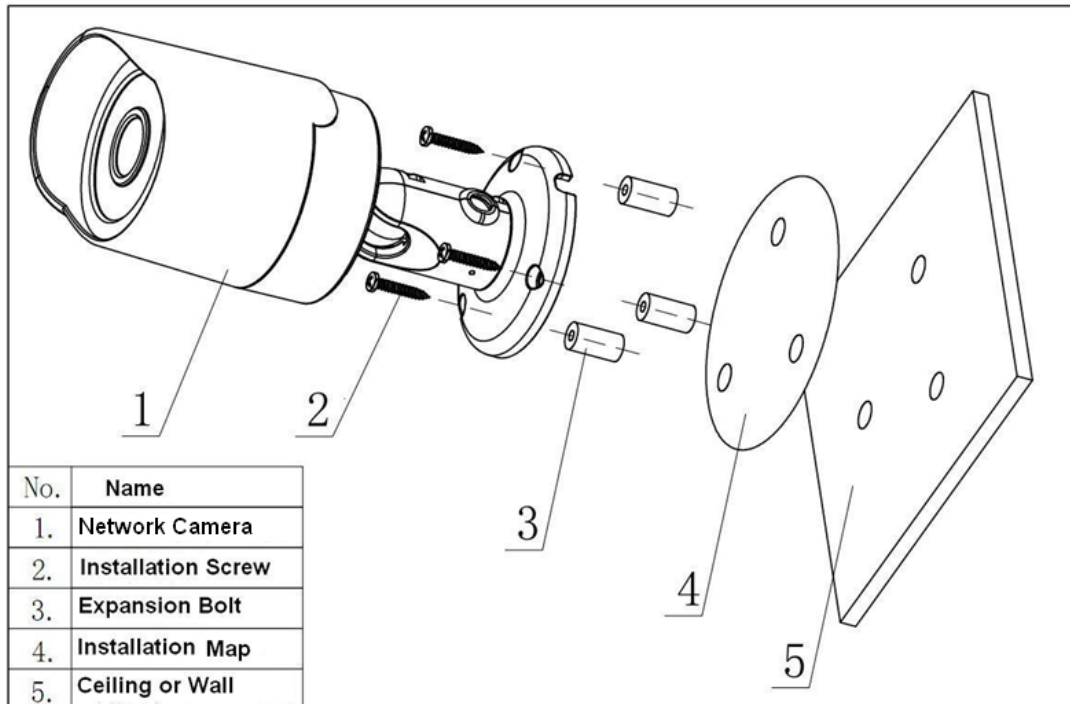


Figure 3-1

Step 3

Open the accessories bag and then take the expansion bolt out. Insert the expansion bolt into the installation holes.

Step 4

Take the screws from the accessories bag and then use them to secure the device on the installation surface of the wall or the ceiling. The sun shield of the device can move forward or backward. Please secure the set screw of the sun shield after you fixed the device.

Step 5

Connect the corresponding cables.

Step 6

Use the cross-head screwdriver to loosen the adjust screw.

Step 7

Turn the device in different directions to make it suitable for the monitor position.

Step 8

Use the cross-head screwdriver to fix the adjust screw firmly.

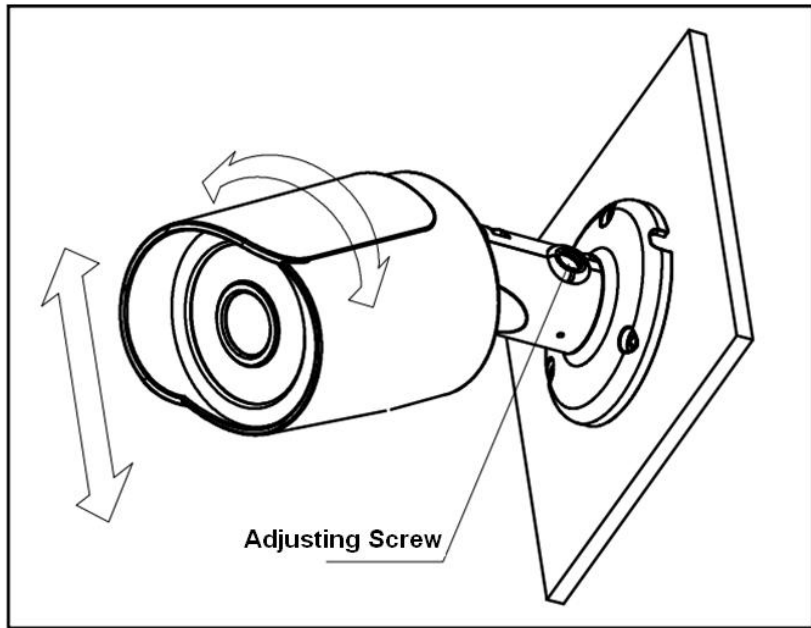


Figure 3-2

4 Quick Configuration Tool

4.1 Overview

Quick configuration tool can search current IP address, modify IP address. At the same time, you can use it to upgrade the device.

Please note the tool only applies to the IP addresses in the same segment.

4.2 Operation

Double click the “ConfigTools.exe” icon; you can see an interface is shown as in Figure 4-1.

In the device list interface, you can view device IP address, port number, subnet mask, default gateway, MAC address and etc.

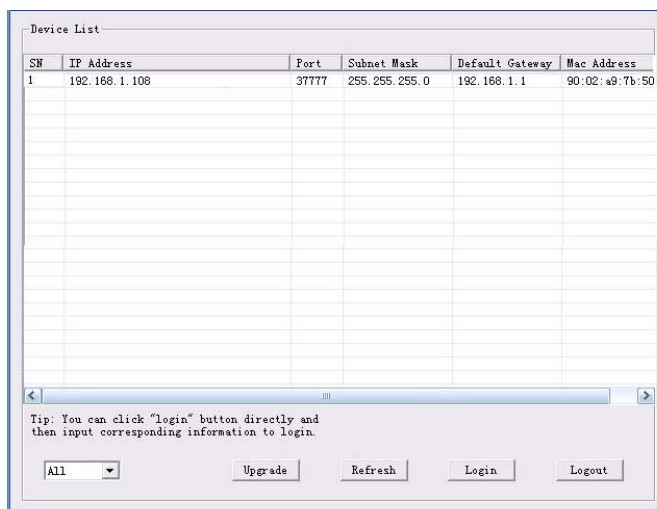


Figure 4-1

Select one IP address and then right click mouse, you can see an interface is shown as in Figure 4-2.

Note:

You can set the IP address, subnet mask and gateway for the network camera and PC. Please note network camera IP address and PC IP address shall be in the same network segment if there is no router. Network camera default IP address is 192.168.1.108. If there is a router, please set the corresponding gateway and subnet mask.

The factory default user name is **admin** and password is **admin**. For security reasons, please modify your password after you first login.

For detailed WEB operation, please refer to the network camera Web Operation Manual in the resource CD.

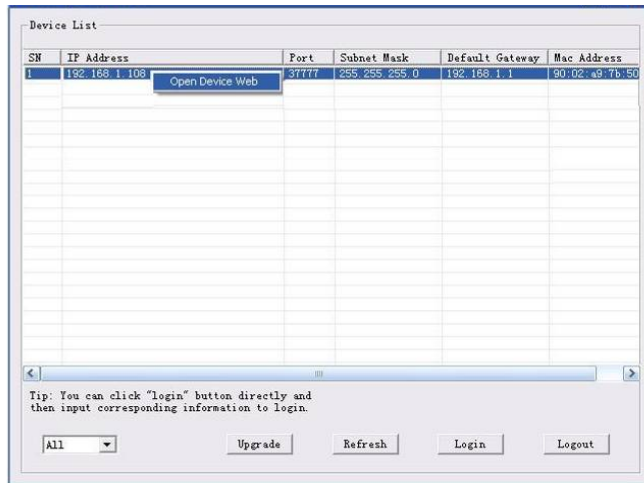


Figure 4-2

Select the “Open Device Web” item; you can go to the corresponding web login interface. See Figure 4-3.

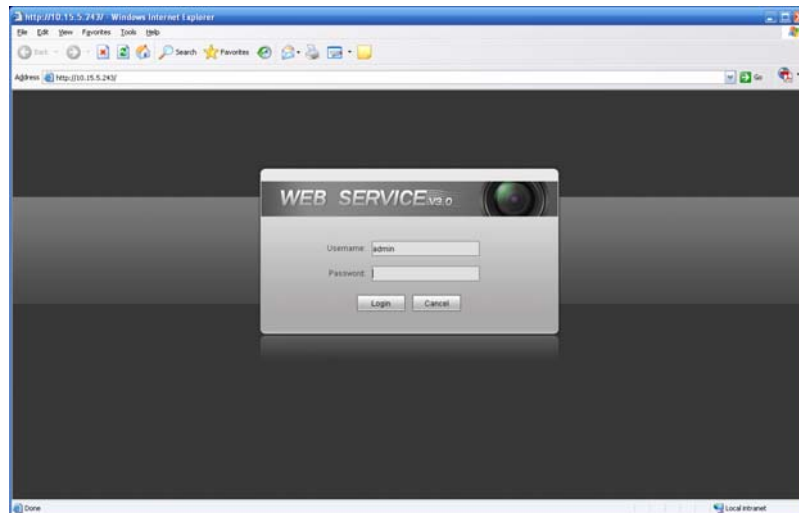


Figure 4-3

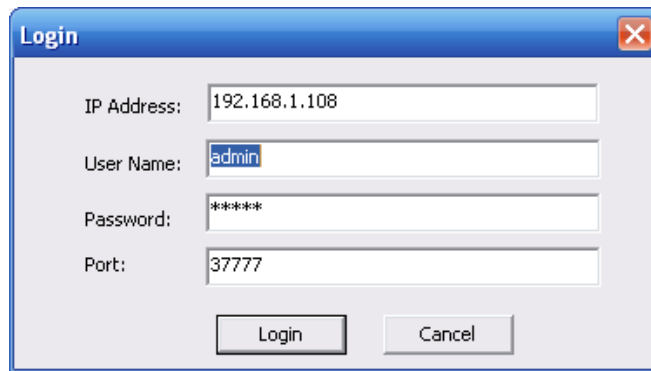
If you want to modify the device IP address without logging in the device web interface, you can go to the configuration tool main interface to set.

In the configuration tool search interface (Figure 4-1), please select a device IP address and then double click it to open the login interface. Or you can select an IP address and then click the Login button to go to the login interface. See Figure 4-4.

In Figure 4-4, you can view device IP address, user name, password and port. Please modify the corresponding information to login.

Please note the port information here shall be identical with the port value you set in TCP port in Web Network interface. Otherwise, you can not login the device.

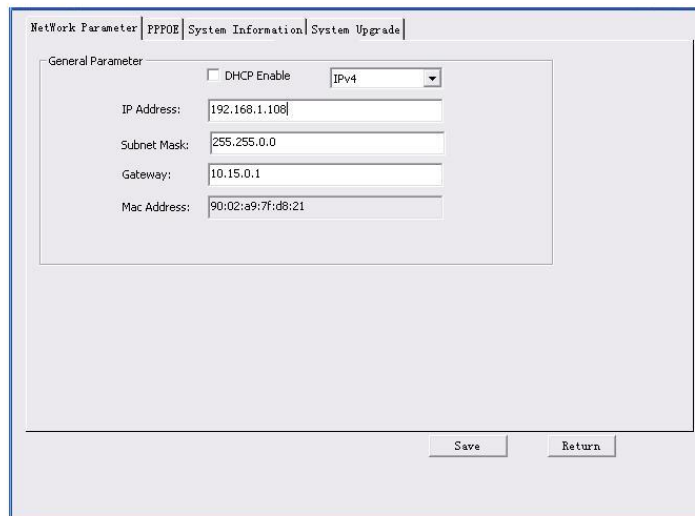
If you are using device background upgrade port 3800 to login, other setups are all invalid.



A login dialog box titled "Login" with a close button in the top right corner. It contains four input fields: "IP Address" with the value "192.168.1.108", "User Name" with the value "admin", "Password" with the value "*****", and "Port" with the value "37777". At the bottom, there are two buttons: "Login" and "Cancel".

Figure 4-4

After you logged in, the configuration tool main interface is shown as below. See Figure 4-5.



The main interface of the configuration tool, titled "Network Parameter". It has four tabs: "Network Parameter", "PPPOE", "System Information", and "System Upgrade". The "Network Parameter" tab is active. Inside, there is a "General Parameter" section with a "DHCP Enable" checkbox (unchecked) and a "IPv4" dropdown menu. Below this are five input fields: "IP Address" (192.168.1.108), "Subnet Mask" (255.255.0.0), "Gateway" (10.15.0.1), and "Mac Address" (90:02:a9:7f:d8:21). At the bottom right, there are "Save" and "Return" buttons.

Figure 4-5

For detailed information and operation instruction of the quick configuration tool, please refer to the *Quick Configuration Tool User's Manual* included in the resources CD.

5 Web Operation

This series network camera product supports the Web access and management via PC. Web includes several modules: monitor channel preview, system configuration, alarm and etc.

5.1 Network Connection

Please follow the steps listed below for network connection.

- Make sure the network camera has connected to the network properly.
- Please set the IP address, subnet mask and gateway of the PC and the network camera respectively. Network camera default IP address is 192.168.1.108. Subnet mask is 255.255.255.0. Gateway is 192.168.1.1
- Use order ping `***.***.***.***`(* network camera address) to check connection is OK or not.

5.2 Login and Logout

Open IE and input network camera address in the address bar.

For example, if your camera IP is 192.168.1.108, then please input `http:// 192.168.1.108` in IE address bar. See Figure 5-1.

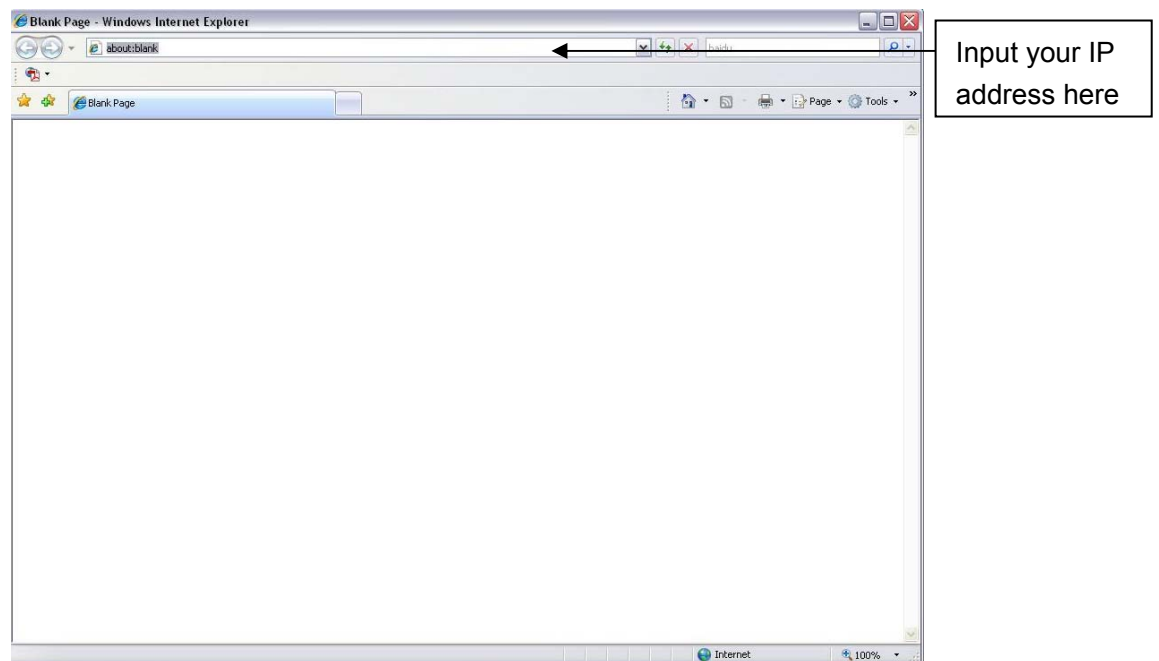


Figure 5-1

The login interface is shown as below. See Figure 5-2.

Please input your user name and password.

Default factory name is admin and password is admin.

Note: For security reasons, please modify your password after you first login.

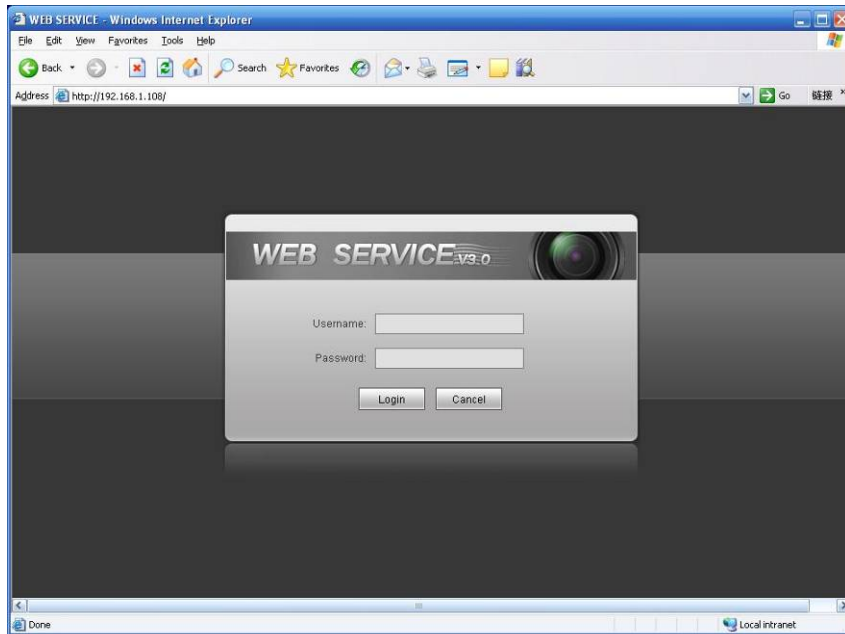


Figure 5-2

If it is your first time to login, system pops up warning information to ask you whether install control webrec.cab or not after you logged in for one minute. Please click OK button, system can automatically install the control. When system is upgrading, it can overwrite the previous Web too. If you can't download the ActiveX file, please check whether you have installed the plug-in to disable the control download. Or you can lower the IE security level. See Figure 5-3.

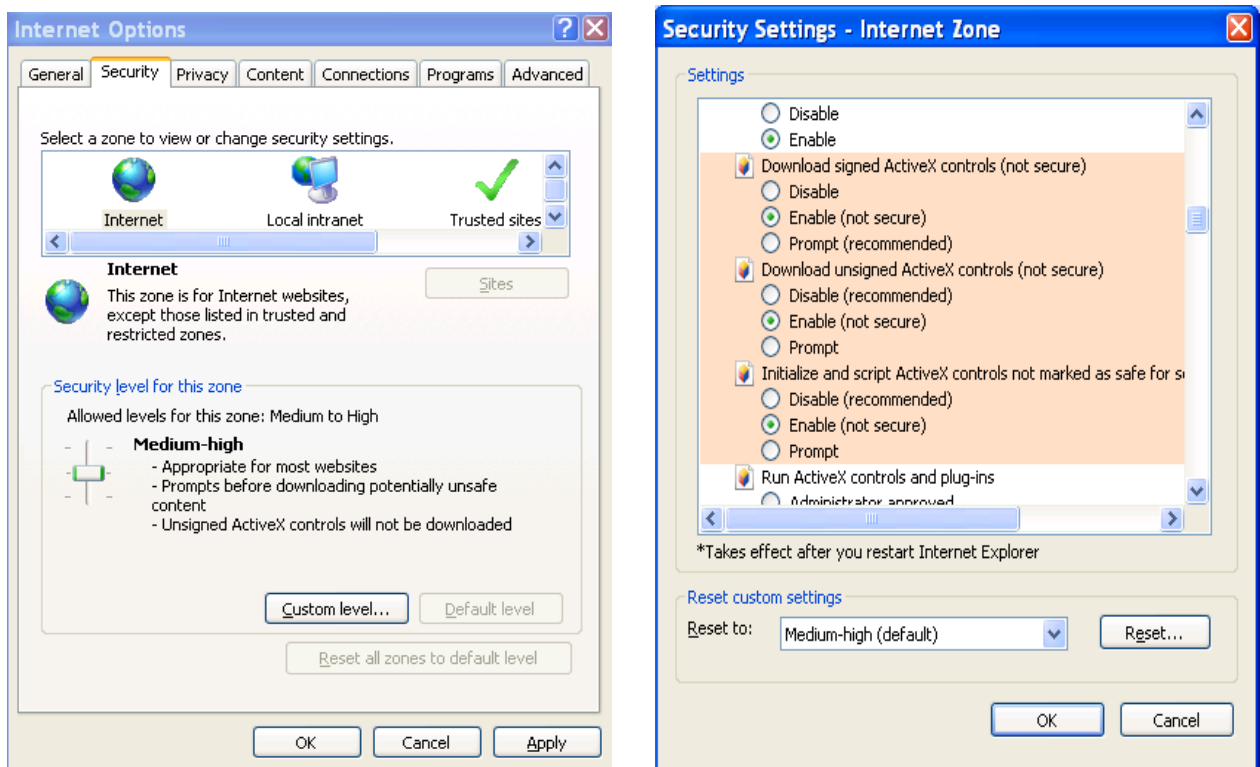


Figure 5-3

After you logged in, you can see the main window. See Figure 5-4.

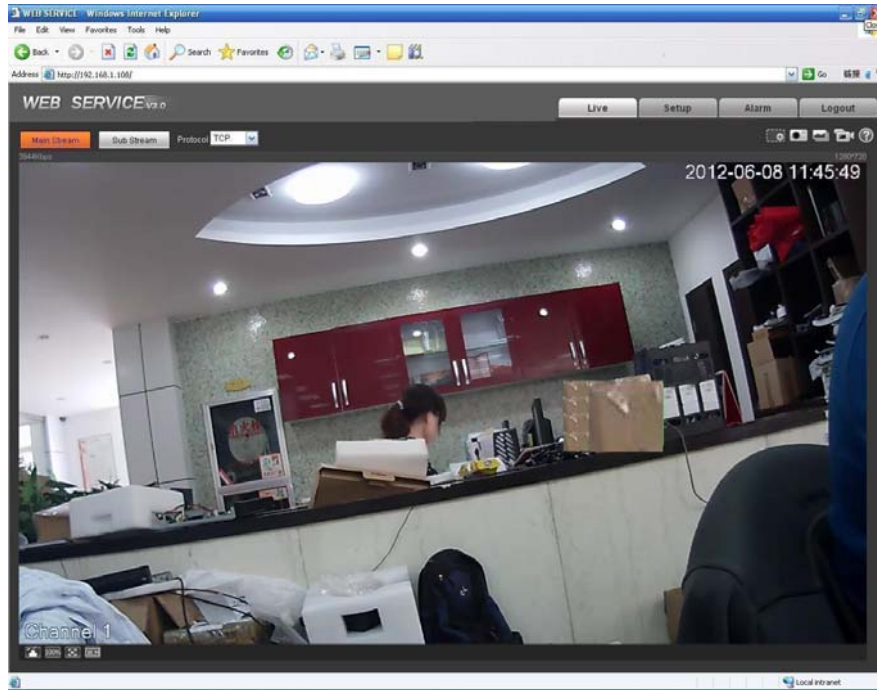


Figure 5-4

Please refer to the Web Operation Manual included in the resource CD for detailed operation instruction.

6 FAQ

Bug	
I can not boot up the device or operate properly.	Please click RESET button for at least five seconds to restore factory default setup.
The water leakage occurred.	<p>The unauthorized front or rear cap remove many result in water leakage.</p> <p>The glass front cap has sustained heavy push or strike.</p> <p>The waterproof plug of the rear cap becomes loosen.</p>
IR video is poor.	<p>Do not use the proper supplying power. The IR light can not turn on completely.</p> <p>The object is out of the IR distance range of current device.</p> <p>IR-CUT does not turn to the night mode. The photosensitive chip of the front-end can not sense the IR light.</p>
I can not upgrade the device via network.	When network upgrade operation failed, you can use port 3800 to continue upgrade.
I can not login the client-end or the WEB.	<ul style="list-style-type: none"> ● For Windows OS 98 or Windows ME user, if you can not install the client-end or can not view after the installation. We recommend the win2000sp4 OS or install the client-end of the low version. ● The Active X control is blocked. ● The display card version shall be dx8.1 or higher. ● Network connection error occurred. ● Invalid network setup. ● Invalid user name or password.
I can not play the download file.	<ul style="list-style-type: none"> ● There is no player. ● There is no DX8.1 or higher. ● For the MEDIA PLAYER, there shall be Div X503Bundle.exe plugin if you play the .AVI file. ● For Windows XP user, you need to install the plugin DivX503Bundle.exe and ffdsho-2004 1012.exe.
To guarantee setup update	After you modified the important setup, please reboot the device via the software to make sure the setup has been updated to the storage medium.
Power adapter	<ul style="list-style-type: none"> ● The general power adapter can work ranging from 0℃ to 40 ℃. The device may result in unstable power supply when the temperature exceeds the working temperature. ● Please replace an industry-level power adapter if you are using in the harsh environments.

Appendix Toxic or Hazardous Materials or Elements

Component Name	Toxic or Hazardous Materials or Elements					
	Pb	Hg	Cd	Cr VI	PBB	PBDE
Circuit Board Component	○	○	○	○	○	○
Device Case	○	○	○	○	○	○
Wire and Cable	○	○	○	○	○	○
Packing Components	○	○	○	○	○	○
Accessories	○	○	○	○	○	○

O: Indicates that the concentration of the hazardous substance in all homogeneous materials in the parts is below the relevant threshold of the SJ/T11363-2006 standard.

X: Indicates that the concentration of the hazardous substance of at least one of all homogeneous materials in the parts is above the relevant threshold of the SJ/T11363-2006 standard. During the environmental-friendly use period (EFUP) period, the toxic or hazardous substance or elements contained in products will not leak or mutate so that the use of these (substances or elements) will not result in any severe environmental pollution, any bodily injury or damage to any assets. The consumer is not authorized to process such kind of substances or elements, please return to the corresponding local authorities to process according to your local government statutes.

Note

- **This user's manual is for reference only. Slight difference may be found in user interface.**
- **All the designs and software here are subject to change without prior written notice.**
- **All trademarks and registered trademarks mentioned are the properties of their respective owners.**
- **If there is any uncertainty or controversy, please refer to the final explanation of us.**
- **Please visit our website for more information.**