

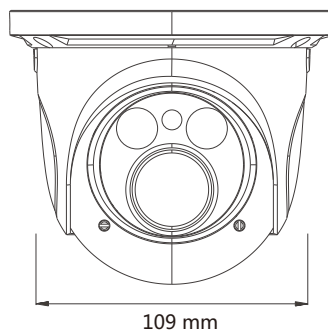
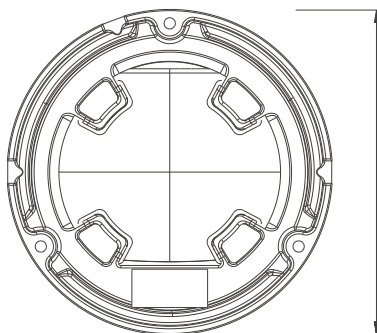
IPOD-SBS2IRV

2 MP Network IR Water-proof Dome Camera

Specifications

Camera	
Image Sensor	1 / 2.8 "CMOS
Image Size	1920 x 1080
Electronic Shutter	1 / 25 s ~ 1 / 100000 s
Iris Type	Fixed Iris
Min. Illumination	Color : 0.002 lux @F1.2,AGC ON; B / W : 0.0002 lux @F1.2,AGC ON
Lens	2.8~12 mm @ F1.4-2.8, horizontal field of view :95.7° ~ 35.9°
Lens Mount	Φ14
Day & Night	ICR
Wide Dynamic Range	Digital WDR
Digital NR	3D DNR
Angle Adjustment	Pan : 0°~360°, Tilt : 0°~90°, Rotation : 0°~360°
Image	
Video Compression	H.264 / MJPEG
H.264 Compression Standard	Baseline Profile / Main Profile / High Profile
Resolution	1080P (1920 × 1080), 720P (1280 × 720), D1, CIF, 480 x 240
Main Stream	60Hz : 1080P (1 ~ 30fps) / 720P (1 ~ 30fps) 50Hz : 1080P (1 ~ 25fps) / 720P (1 ~ 25fps)
Bit Rate	128Kbps ~ 6Mbps
Bit Rate Type	VBR / CBR
Quality	Five levels under VBR; Freely adjustable under CBR
Image Settings	ROI, Saturation, Brightness, Chroma, Contrast, Wide Dynamic, Sharpen, NR, etc. adjustable through client software or web browser
ROI	Each ROI to be configured separately
Interfaces	
Network	RJ45
Functions	
Remote Monitoring	IE browsing, CMS remote control
Online Connection	Support simultaneous monitoring for up to 3 users; Support multi-stream real time transmission
Network Protocol	TCP / IP, UDP, DHCP, NTP, RTSP, DDNS, SMTP, FTP
Interface Protocol	ONVIF
Storage	Network remote storage
Smart Alarm	Motion alarm
PoE	Yes
IR Distance	20 ~ 30 m
Ingress Protection	IP66
Others	
Power Supply	DC12V / PoE
Power Consumption	< 3W
IR Consumption ON	< 5W
Operating Environment	- 20 °C ~ 50 °C, 10 % ~ 90 % relative humidity
Dimensions (mm)	Φ109 x 130
Weight (net)	687g
Installation	Pendent mounting (Wall mounting available with the junction box and bracket)

Dimensions



- 2MP (1920 x 1080) coding
- Max. resolution: 1920 x 1080
- ICR auto switch, true day / night
- 20 ~ 30m IR night view distance
- Third generation of dot matrix LED IR lights, small size, efficient heat dissipation, long lifespan
- 3D DNR, digital WDR
- ROI coding
- PoE power supply
- Support smart phone, iPad, remote monitoring
- Support P2P
- IP66 ingress protection
- Support three streams