

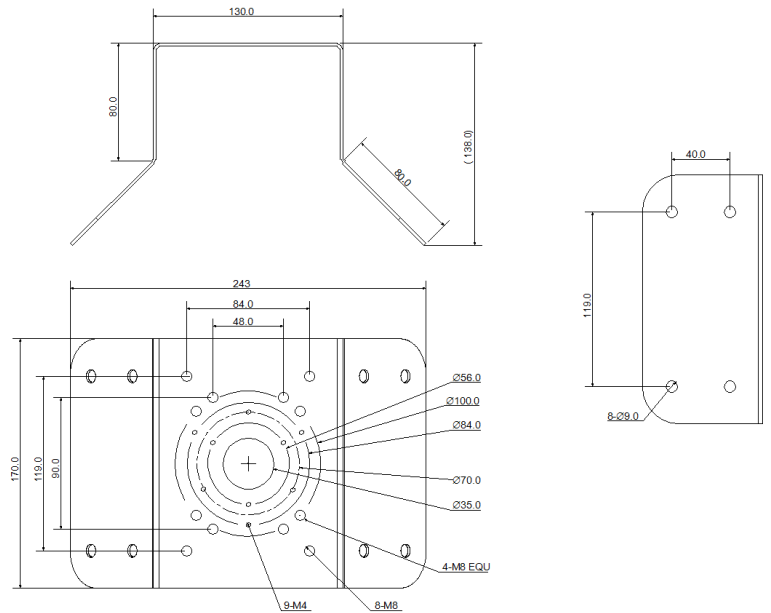
CM-EL151



Features

- Material: SECC
- Corner Mount Bracket
- Neat & Integrated design

Dimensions (mm)



Specifications

| | |
|-----------------------|-----------------------|
| Model | CM-EL151 |
| General | |
| Material | SECC |
| Dimension (W x H x D) | 243mm x 170mm x 138mm |
| Pipe Thread | N/A |
| Operating Temperature | -40°C ~60°C |
| Humidity | 0~90% RH |
| Load Bearing | 10.0Kg |
| Weight | 1.7Kg |

Application

