

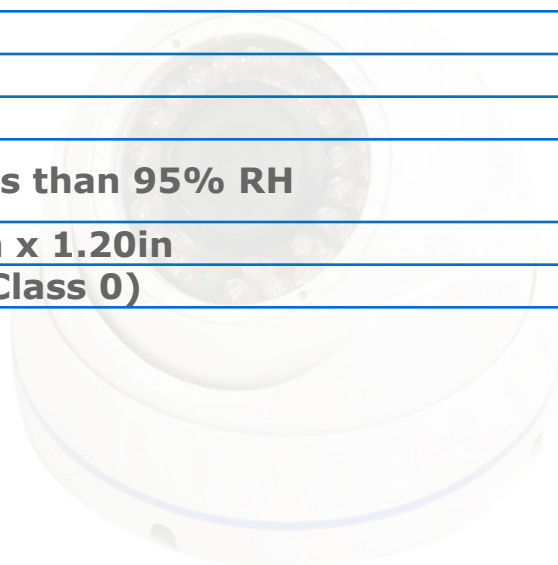
IPC-EL4PIN



Elite 4MP Covert IP Pin Hole Camera

- Easy to hide design
- 2.8mm Fixed Lens
- H.265+/H.265/H.264+/H.264 Compression
- Uses 12V DC or PoE (Power over Ethernet)

Megapixels:	4MP
Image Resolutions:	4MP(2688×1520) / 3MP(2304x1296) / 1080P(1920×1080) / 1.3MP(1280x960) / 720P(1280x720)
Image Sensor:	1/2.7 inch 4MP progressive scan CMOS
Min Illumination:	0.02Lux/F2.4 (Color,1/3s,30IRE)
LEDs:	N/A
IR Distance:	N/A
OSD:	N/A
Protocol:	ONVIF, PSIA, CGI
Operating Temperature	-22° F ~ +140° F / Less than 95% RH
Dimension:	camera:1.91in x 1.20in x 1.20in
Power:	DC12V, PoE(802.3af)(Class 0)



IPCV-EL4CA

4MP Covert Pinhole Network Camera-Lens Unit

Technical Specification

Camera

Image Sensor	1/2.7" 4Megapixel progressive scan CMOS
Scanning System	Progressive
Effective Pixels	2688(H)x1520(V)
Minimum Illumination	0.02Lux/F2.4 (Color,1/3s,30IRE) 0.08Lux/F2.4 (Color,1/30s,30IRE) 0.01Lux/F2.4 (B/W,1/3s,30IRE) 0.04Lux/F2.4 (B/W,1/30s,30IRE)
IR Distance	N/A
IR On/Off Control	N/A
IR LEDs	N/A

Lens

Lens Type	Fixed								
Mount Type	Board-in								
Focal Length	2.8mm								
Max. Aperture	F2.4								
Angle of View	H:83.4° ,V:44.9°								
Optical Zoom	N/A								
Focus Control	Fixed								
Close Focus Distance	N/A								
DORI Distance	<table><thead><tr><th>Detect</th><th>Observe</th><th>Recognize</th><th>Identify</th></tr></thead><tbody><tr><td>61m(200ft)</td><td>24m(80ft)</td><td>12m(40ft)</td><td>6m(20ft)</td></tr></tbody></table>	Detect	Observe	Recognize	Identify	61m(200ft)	24m(80ft)	12m(40ft)	6m(20ft)
Detect	Observe	Recognize	Identify						
61m(200ft)	24m(80ft)	12m(40ft)	6m(20ft)						

Pan/Tilt/Rotation

Pan/Tilt/Rotation Range	N/A
-------------------------	-----

Certifications

Certifications	CE (EN 60950:2000) UL:UL60950-1 FCC: FCC Part 15 Subpart B
----------------	--

Environmental

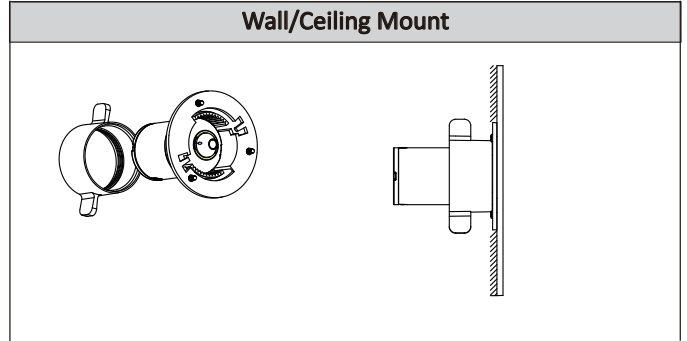
Operating Conditions	-30° C ~ +60° C (-22° F ~ +140° F) / Less than 95% RH
Storage Conditions	-30° C ~ +60° C (-22° F ~ +140° F) / Less than 95% RH
Ingress Protection	N/A
Vandal Resistance	N/A

Construction

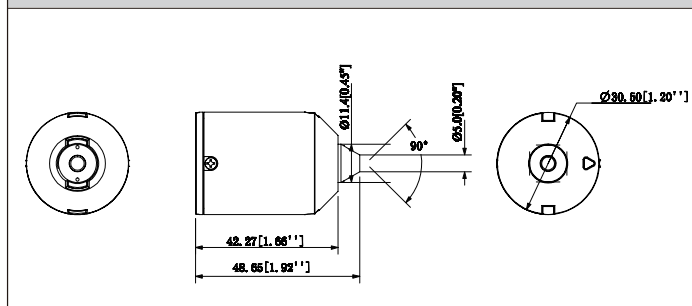
Casing	Metal
Dimensions	Φ30.5mm×48.65mm(Φ1.20"×1.91")
Net Weight	0.40Kg (0.88lb)
Gross Weight	0.47Kg (1.03lb)

Accessories

Wall/Ceiling Mount



Dimensions (mm/inch)



IPC-EL4MU

Controller for 4MP Covert Pinhole Network Camera

Technical Specification

Camera

RAM/ROM	512MB/32MB
S/N Ratio	More than 50dB

Intelligence

IVS	Tripwire, Intrusion, Object Abandoned/Missing
Advanced Intelligent Functions	Face Detection

Video (working together with lens unit)

Compression	H.265+/H.265/H.264+/H.264
Streaming Capability	3 Streams
Resolution	4M(2688×1520) / 3M(2304×1296) / 1080P(1920×1080) / 1.3M(1280×960) / 720P(1280×720) / D1(704×576/704×480) / VGA(640×480) / CIF(352×288/342×240)
Frame Rate	Main Stream: 4M (1~25/30fps) Sub Stream: D1 (1 ~ 25/30fps) Third Stream: 720P (1~25/30fps)
Bit Rate Control	CBR/VBR
Bit Rate	H.264: 24Kbps~10240Kbps H.265: 14Kbps~9984Kbps
Day/Night	Electronic
BLC Mode	BLC / HLC / WDR(120dB)
White Balance	Auto/Natural/Street Lamp/Outdoor/Manual
Gain Control	Auto/Manual
Noise Reduction	3D DNR
Motion Detetion	Off / On (4 Zones, Rectangle)
Region of Interest	Off / On (4 Zones)
Electronic Image Stabilization (EIS)	N/A
Smart IR	N/A
Defog	N/A
Digital Zoom	16x
Flip	0°/90°/180°/270°
Mirror	Off / On
Privacy Masking	Off / On (4 Areas, Rectangle)
Audio	
Compression	G.711a/ G.711Mu/ AAC/ G.726

Network

Ethernet	RJ-45 (10/100Base-T)
Protocol	HTTP;HTTPS;TCP;ARP;RTSP;RTP;UDP;SMTP;FTP;DHCP;DNS;DDNS;PPPOE;IPv4/v6;QoS;UPnP;NTP;Bonjour;802.1x;Multicast;IGMP;SNMP
Interoperability	ONVIF, PSIA, CGI
Streaming Method	Unicast / Multicast
Max. User Access	10 Users/20 Users
Edge Storage	NAS Local PC for instant recording Mirco SD card 128GB
Web Viewer	IE, Chrome, Firefox, Safari
Management Software	Smart PSS, DSS, Easy4ip
Smart Phone	IOS, Android

Certifications

Certifications	CE (EN 60950:2000) UL:UL60950-1 FCC: FCC Part 15 Subpart B
----------------	--

Interface

Video Interface	N/A
Audio Interface	1/1 channel In/Out
RS232	1 port
Alarm	2 channel In: 5mA 5VDC 2 channel Out: 1A 30VDC / 0.5A 50VAC

Electrical

Power Supply	DC12V, PoE(802.3af)(Class 0)
Power Consumption	<6W (working together with lens unit)

Environmental

Operating Conditions	-30° C ~ +60° C (-22° F ~ +140° F) / Less than 95% RH
Storage Conditions	-30° C ~ +60° C (-22° F ~ +140° F) / Less than 95% RH
Ingress Protection	N/A
Vandal Resistance	N/A

Construction

Casing	Metal
Dimensions	110.0mm×82.7mm×24.0mm (4.33"×3.26"×0.95")
Net Weight	0.21Kg (0.46lb)
Gross Weight	0.30Kg (0.66lb)

IPCV-EL4MU

Main Box for 4MP Covert Pinhole Network Camera

Dimensions (mm/inch)

