

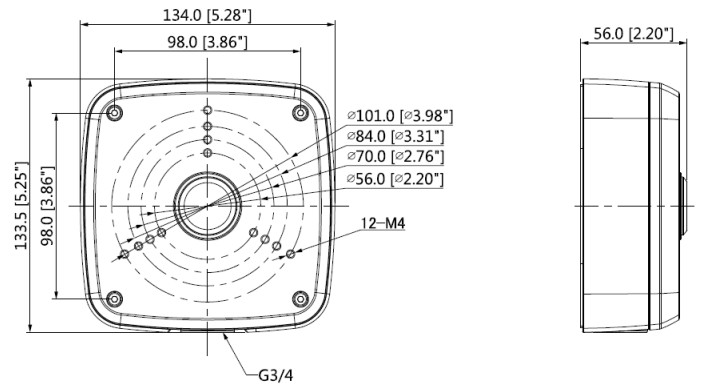
# JB-EL122



## Features

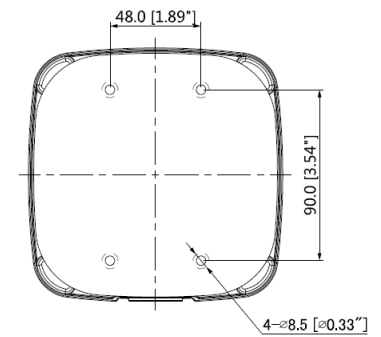
- Material: Aluminum
- IP66 junction box
- Neat & Integrated design

## Dimensions (mm)



## Specifications

<b>Model</b>	JB-EL122
<b>General</b>	
Material	Aluminum
Dimension (W x H x D)	134.0mmx133.5mmx56.0mm (5.28"x5.25"x2.20")
Pipe thread	G3/4"
Weight	0.54kg(1.19lb)
Load bearing	3.0kg(6.61lb)
Color	White
Protection	IP66
Operating temperature	-40°C ~60°C(-40°F ~140°F)
Humidity	0~90% RH
Applicable model	Please see "Accessory Selection"



## Application

