

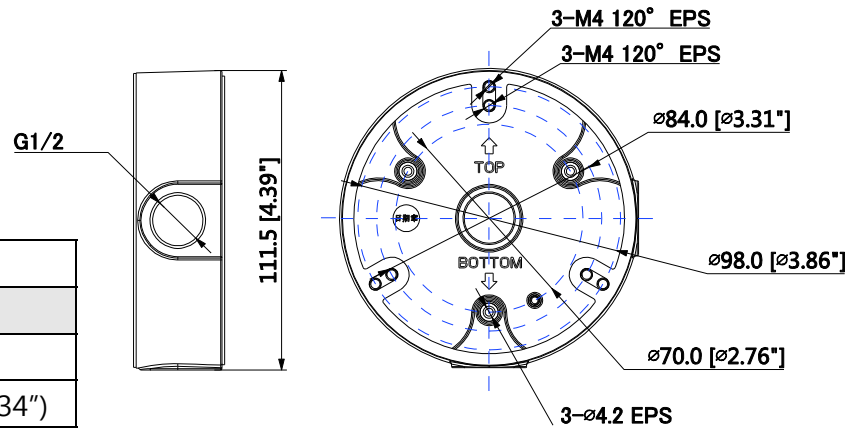
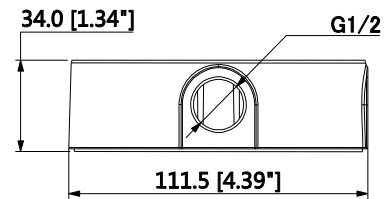
JB-EL136

Features

- Material: Aluminum
- Wall Mount Bracket
- Neat & Integrated design



Dimensions (mm)



Specifications

Model	JB-EL136 *
General	
Material	Aluminum
Dimension	Φ111.5mmx34mm(Φ4.39"x1.34")
Inch Thread	M20(G1/2")
Load Bearing	1.0kg(2.2lb)
Weight	0.19kg(0.42lb)
Color	White
Operating Temperature	-40°C~+60°C(-40°F ~ +140°F)
Humidity	0~90% RH
Applicable Model	Please see "Accessory Selection"

Application

