

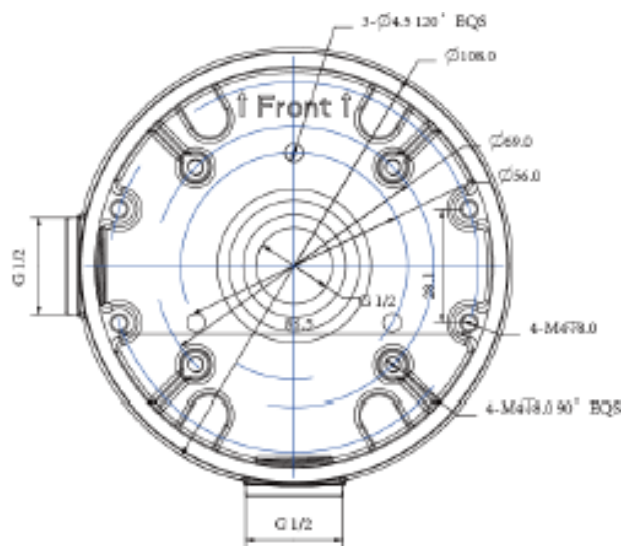
# JB-EL139



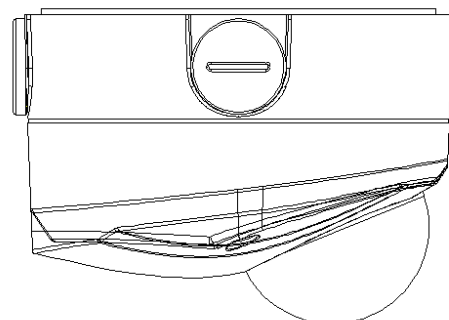
## Features

- Material: Aluminum
- Junction Box
- Neat & Integrated design

## Dimensions (mm)



## Application



## Specifications

|                       |                                  |
|-----------------------|----------------------------------|
| <b>Model</b>          | JB-EL139                         |
| <b>General</b>        |                                  |
| Material              | Aluminum                         |
| Dimension             | φ108.0x28.5mm                    |
| Inch Thread           | M20(G1/2")                       |
| Operating Temperature | -40°C ~60°C                      |
| Humidity              | 0~90% RH                         |
| Load Bearing          | 1.0Kg                            |
| Weight                | 0.16Kg                           |
| Color                 | White                            |
| Applicable Model      | Please see "Accessory Selection" |