

MA-EL101

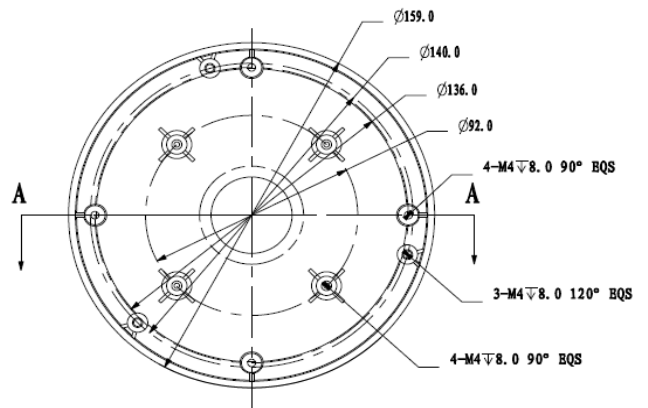
Mount Adapter



Features

- Material: Aluminum
- Mount Adapter
- Neat & Integrated design

Dimensions (mm)



Specifications

Model	A 5! 9@%\$1
General	
Material	Aluminum
Dimension (W x H x D)	$\phi 159\text{mm} \times 35\text{mm}$
Pipe Thread	G1 1/2"
Operating Temperature	-40°C ~60°C
Humidity	0~90% RH
Load Bearing	N/A
Weight	0.24Kg

Application

