

MA-EL114

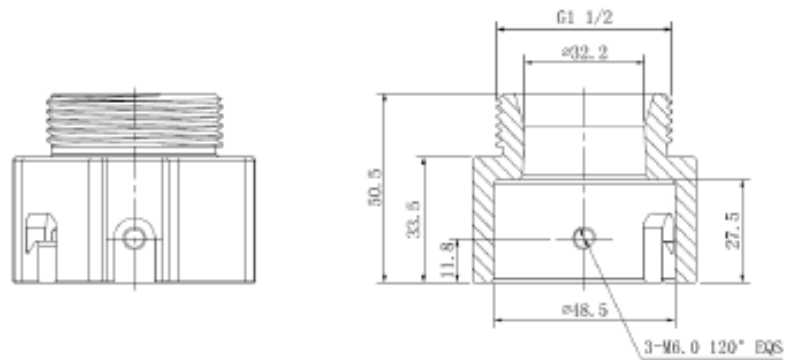
Mount Adapter

Features

- Material: Aluminum
- Mount Adapter
- Neat & Integrated design

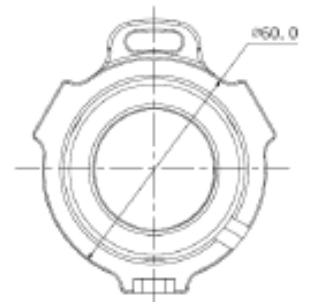


Dimensions (mm)



Specifications

Model	MA-EL114
General	
Material	Aluminum
Dimension (W x H x D)	Φ60mm x 50.5mm
Pipe Thread	G1 $\frac{1}{2}$ "
Operating Temperature	-40°C ~60°C
Humidity	0~90% RH
Load Bearing	7Kg
Weight	0.26Kg



Application

