

WM-EL300S

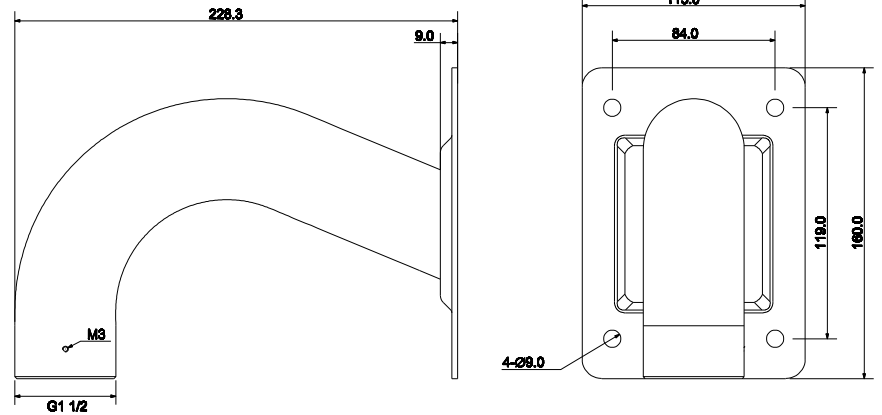
Wall Mount Bracket

Features

- Material: Aluminum
- Wall mount bracket
- Neat & Integrated design



Dimensions (mm/inch)



Technical Specifications

Model	WM-EL300S
General	
Material	Aluminum
Dimension (W x H x D)	160mmx 160mm x 228mm
Pipe Thread	1 1/2" PF
Operating Temperature	-40°C ~60°C
Humidity	0~90% RH
Load Bearing	3.0Kg
Weight	0.5kg

Application

