

# WM-EL310W

Wall Mount for Elite Cameras



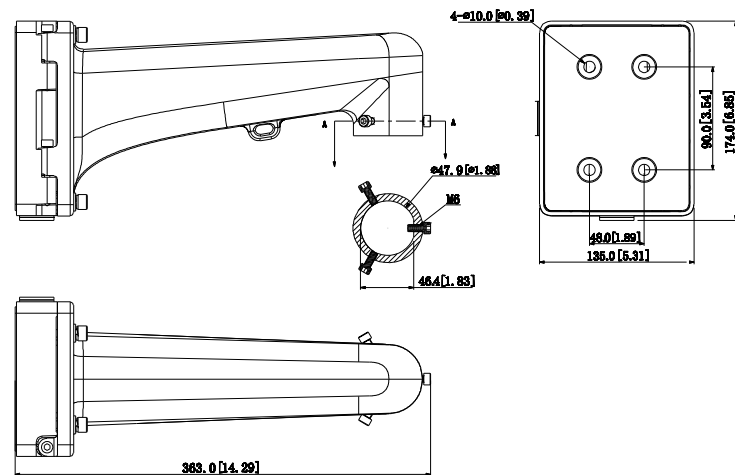
## Includes:

- Integration Bracket \*1
- Application manual \*1
- Wrench \*2

## Features

- Neat & Integrated design, wall-mount.
- Material: Aluminum.
- Come with a junction box at the bottom of the bracket, there are two out-holes (G3/4) designed at the bottom, which is convenient for cable hiding and wiring.
- Safety rope hook attached, secure and reliable.
- Snap-in type, easy installation by snap locking the two parts together.
- Its Load Bearing is 8.0kg, compatible with most of our PTZ cameras.

## Dimensions (mm/inch)



## Technical Specifications

Material	Aluminum
Dimension (WxHxD)	363 mmx174 mmx135 mm(14.29 "x6.85"x5.31 ")
Weight	2.0kg(4.41 lb)
Load Bearing	8.0kg(17.64 lb)
Color	White
Operating Temperature	-40°C ~60 °C (-40 °F~140 °F)
Humidity	0~90% RH

## Application

